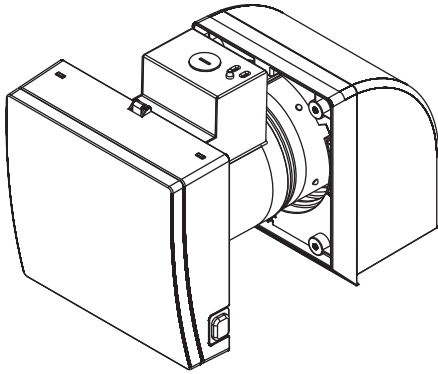
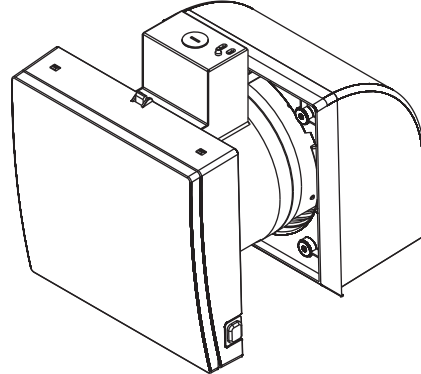


Service Manual

Ventilating Fan
(North America Market)



FV-01WS2



FV-04WS2

Model No.	Duct diameter (inches)	Air direction	Voltage (V)	Frequency (Hz)	Noise (sones)	Power consumption (W)	Speed (r/min)	Air volume at 0.03"WG (CFM)	Weight lb.(kg)
FV-01WS2	4	Intake	120	60	<0.3	3.0	2590	10	5.3(2.4)
FV-04WS2	6	Intake	Hi	120	60	1.2	8.5	40	6.8(3.1)
			Lo	120	60	<0.3	5.5	1680	

HVI Certified performance based on HVI Procedures 915,916 and 920.

⚠ WARNING

This service information is designed for experienced repair technicians only and is not designed for use by the general public. It does not contain warnings or cautions to advise non-technical individuals of potential dangers in attempting to service a product. Products powered by electricity should be serviced or repaired only by experienced professional technicians. Any attempt to service or repair the product or products dealt with in this service information by anyone else could result in serious injury or death.

IMPORTANT SAFETY NOTICE

There are special components used in this equipment which are important for safety. These parts are marked by \triangle in the Schematic Diagrams, Exploded Views and Replacement Parts List. It is essential that these critical parts should be replaced with manufacturer's specified parts to prevent shock, fire or other hazards. Do not modify the original design without permission of manufacture.

We suggest to handle such parts after the static electricity prevention.

It is forbidden to touch the PCB parts by bare hands during the repairing process.

CONTENTS

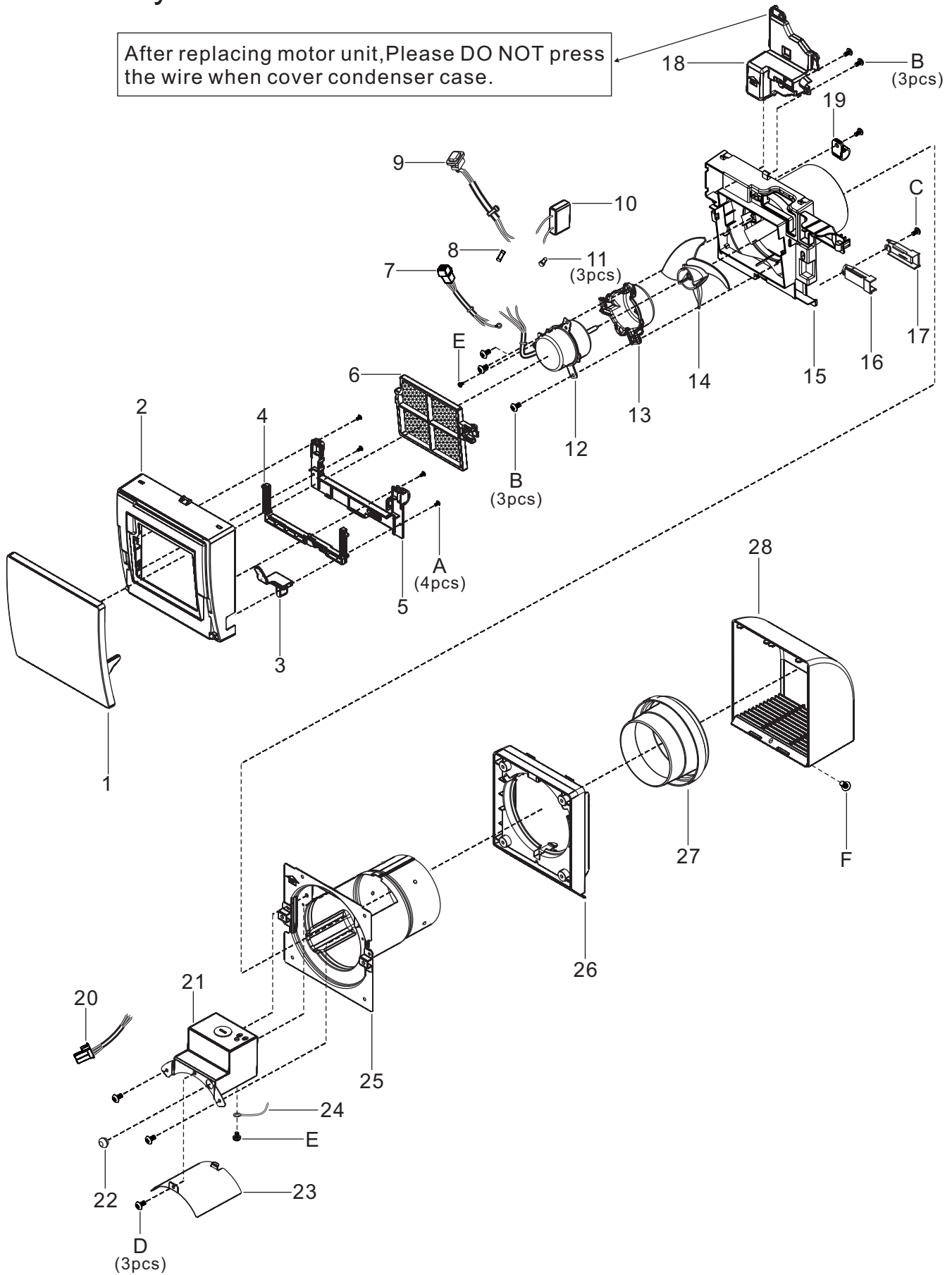
	PAGE
1 Parts Identification.....	1~4
2 Wiring Diagram.....	5~6
3 Parts List.....	7~10

1. Parts Identification

FV-01WS2

Main Body Section

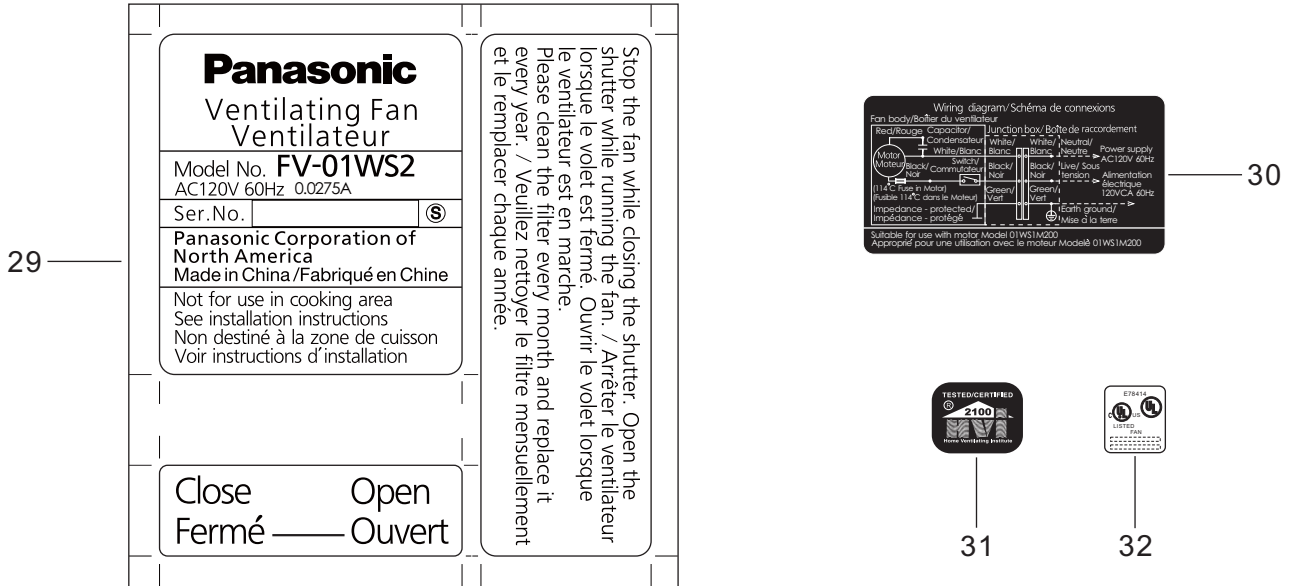
After replacing motor unit, Please DO NOT press the wire when cover condenser case.



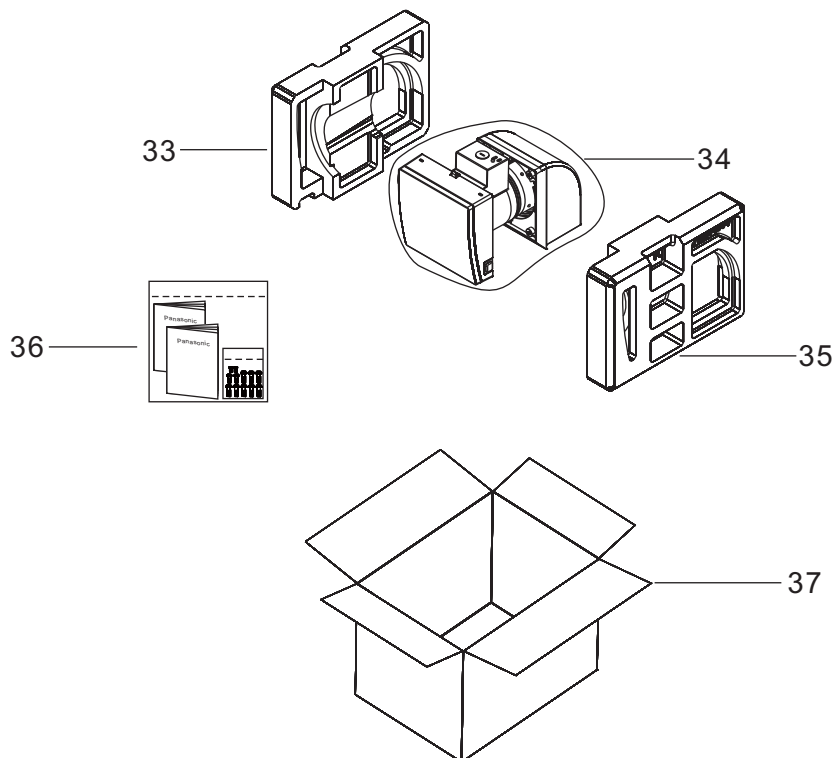
1. Parts Identification

FV-01WS2

Main Labels (For Style Reference)



Main Packing Section

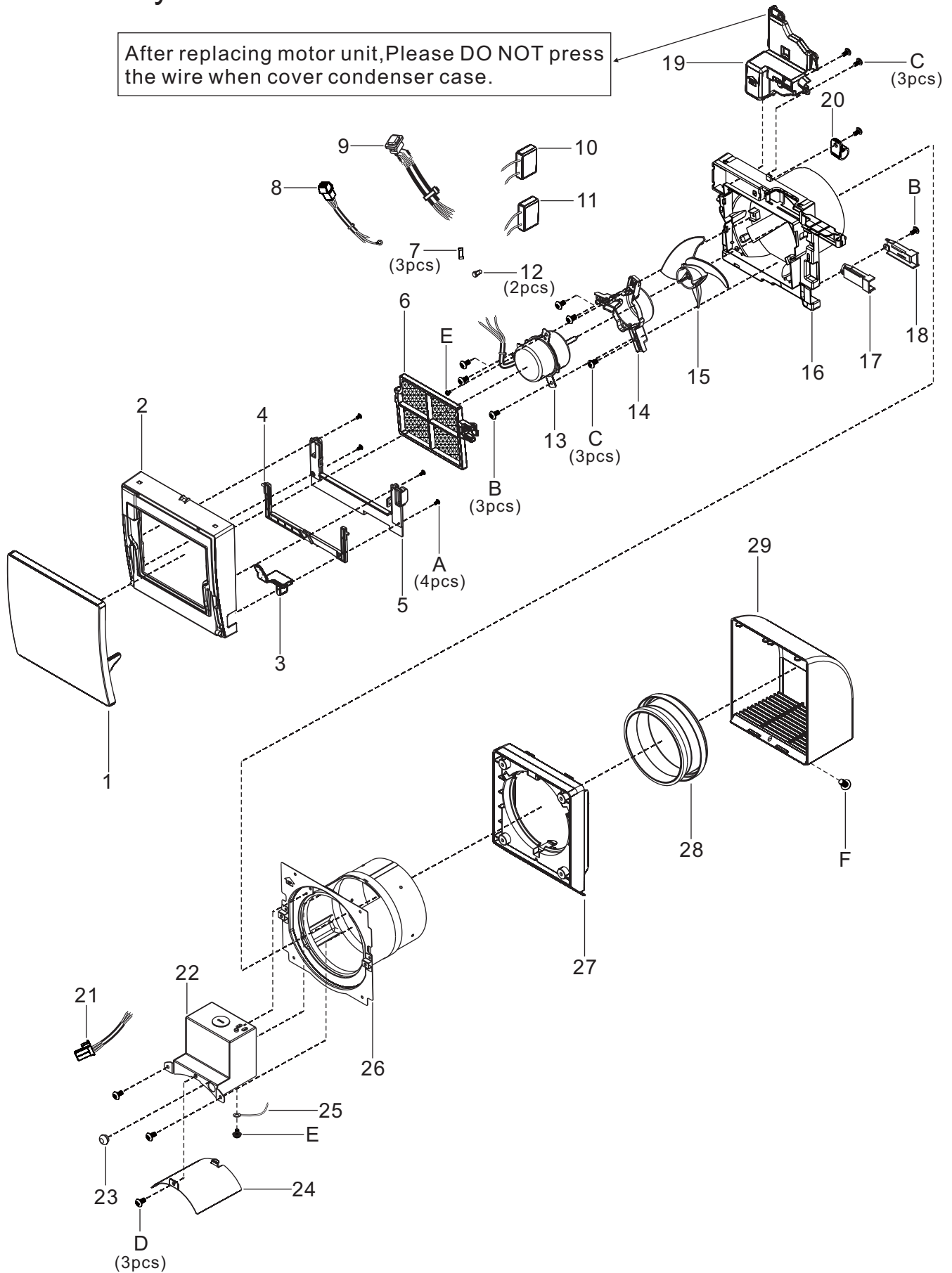


1. Parts Identification

FV-04WS2

Main Body Section

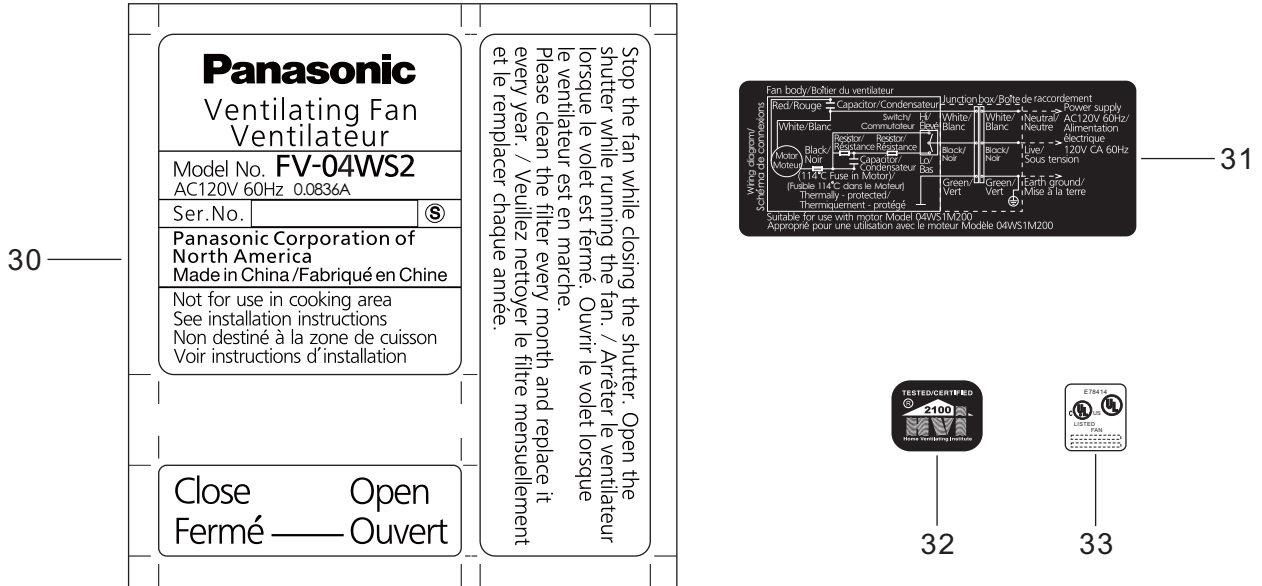
After replacing motor unit, Please DO NOT press the wire when cover condenser case.



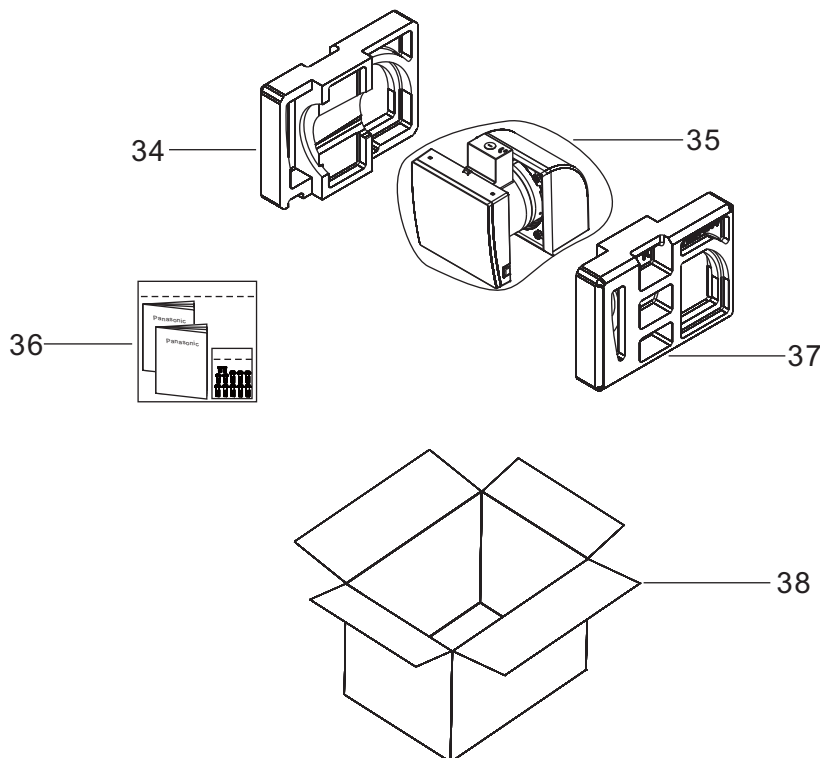
1. Parts Identification

FV-04WS2

Main Labels (For Style Reference)

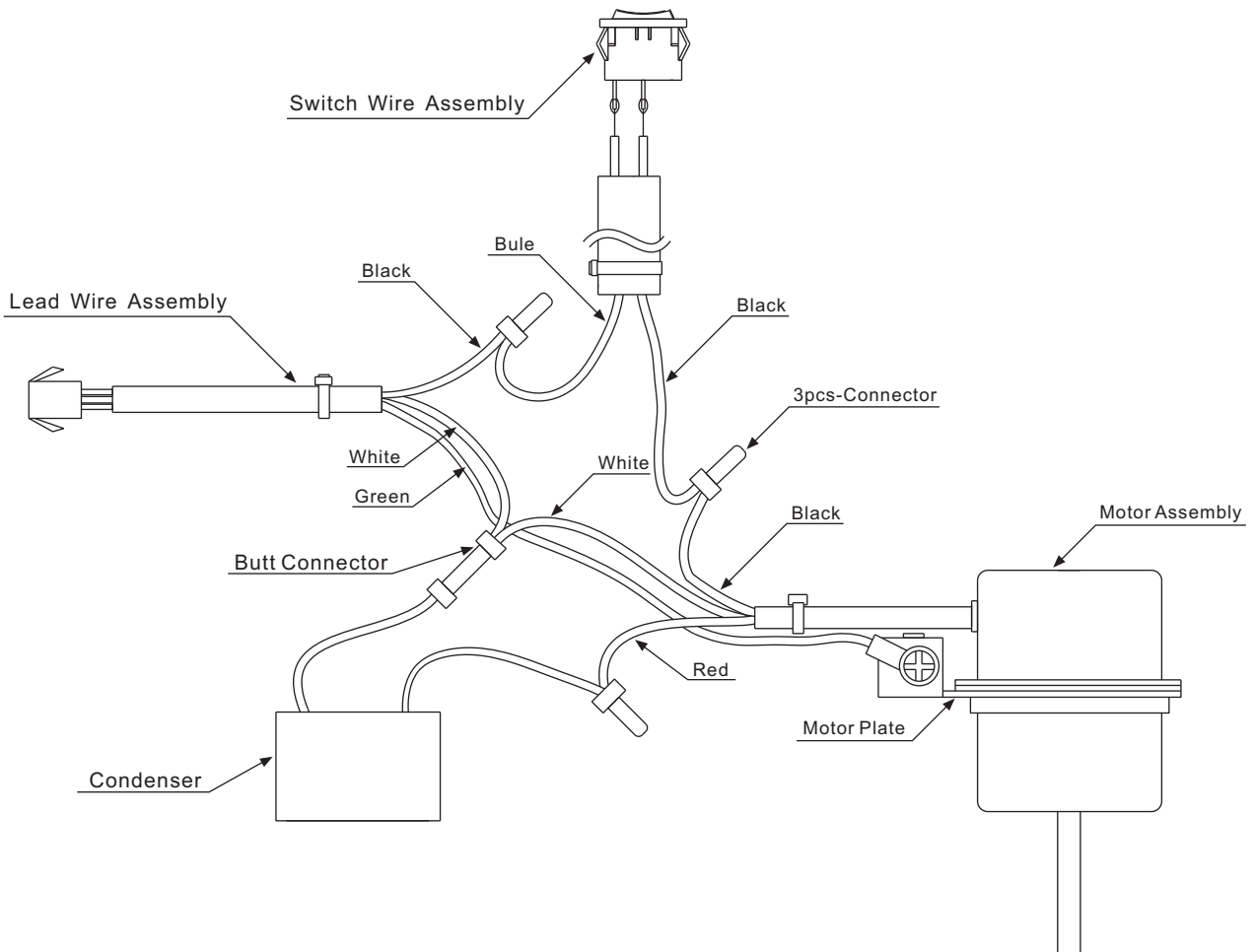
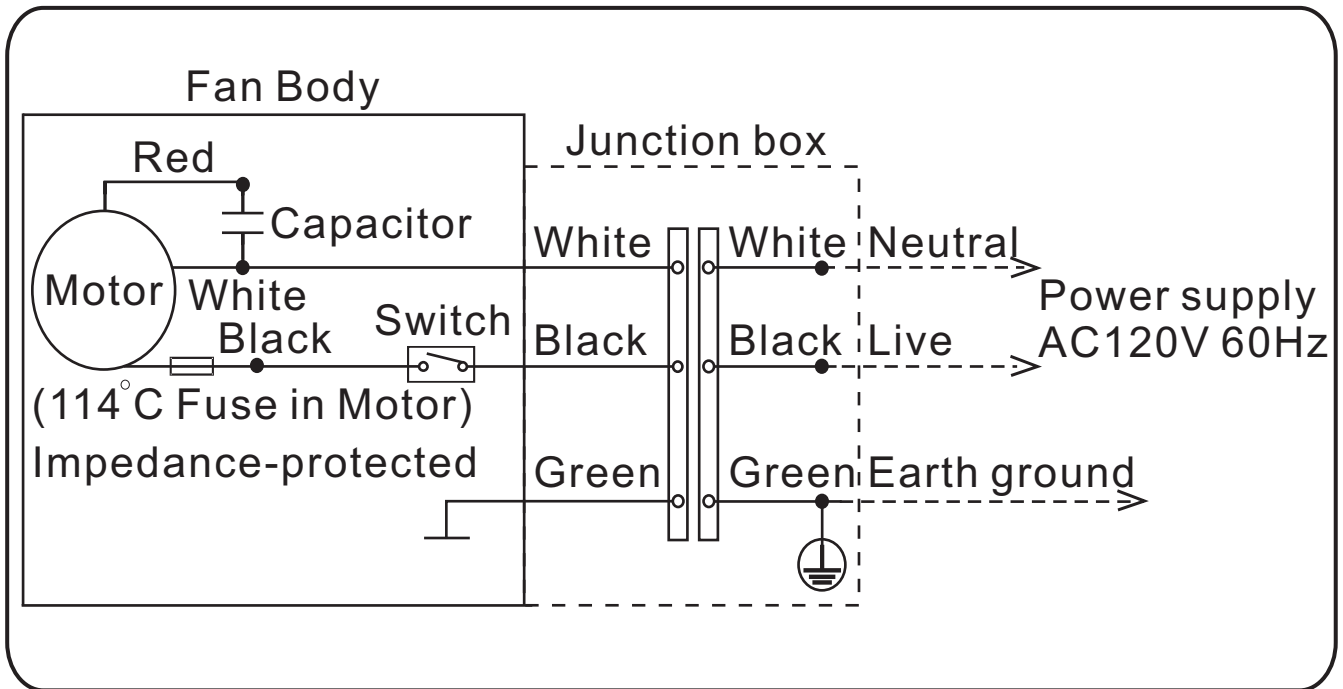


Main Packing Section



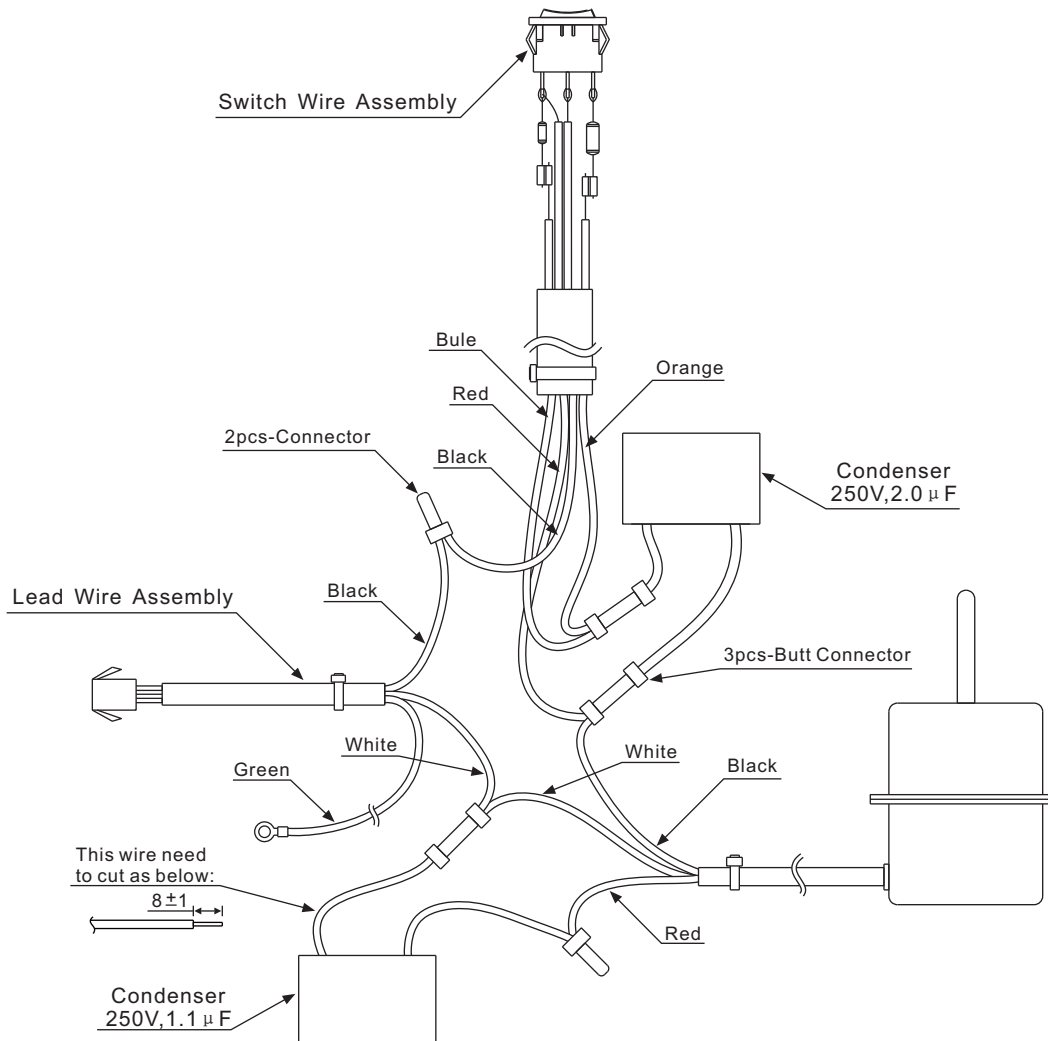
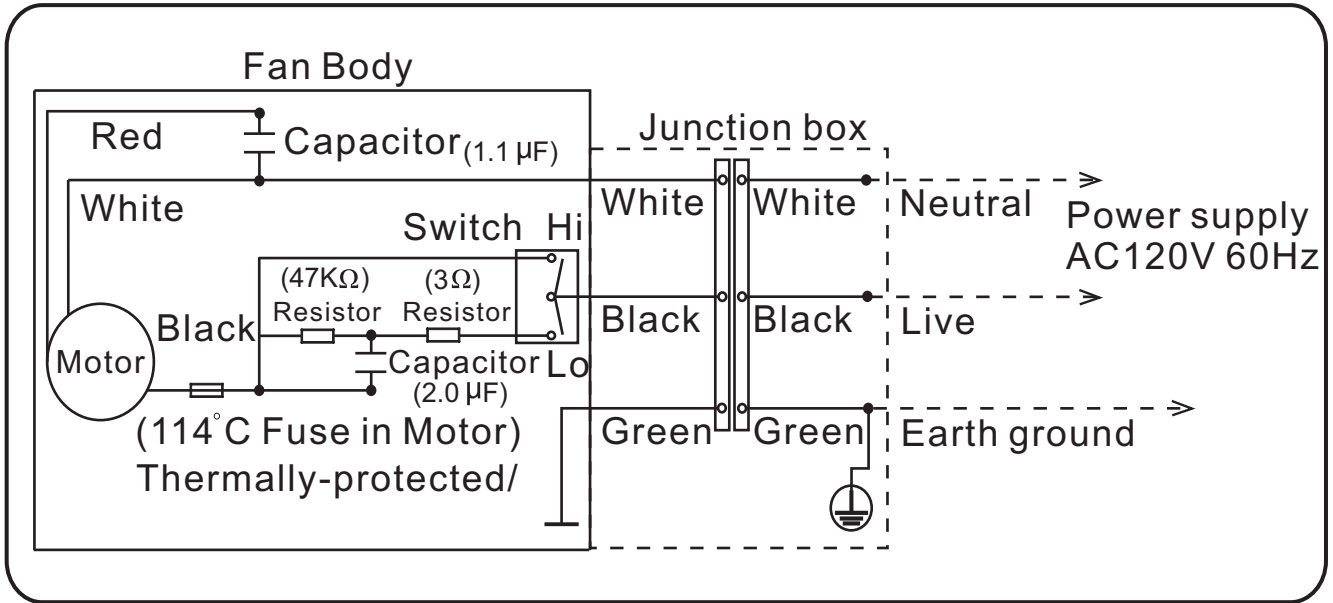
2. Wiring diagram

FV-01WS2



2. Wiring diagram

FV-04WS2



3. Parts List

FV-01WS2

Main Body Section

No.	Part No.	Part Name	Q'ty	Remark
1	FFV3420040S	Louver Panel Assembly	1	
2	FFV3420081S	Louver Base Assembly	1	
3	FFV3100002S	Knob	1	
4	FFV3440004S	Lever	1	
5	FFV3440005S	Lever Cover	1	
6	FFV1610047S	Filter Assembly	1	
7	FFV3402170S	Lead Wire Assembly	1	⚠
8	FFV3470004S	Butt Connector	1	⚠
9	FFV5580014S	Switch Wire Assembly	1	⚠
10	FFV0750223S	Condenser	1	250V,0.5μF ⚠
11	FFV0900057S	Connector	3	⚠
12	FFV3730120S	Motor Unit	1	⚠
13	FFV3730095S	Motor Support	1	
14	FFV4670007S	Blade Assembly	1	
15	FFV1600118S	Frame Assembly	1	
16	FFV5580012S	Switch Box	1	
17	FFV5580013S	Switch Box Cover	1	
18	FFV0750210S	Condenser Case	1	
19	NK4N	Cord Clip	1	
20	FFV0750211S	Connector Assembly	1	⚠
21	FFV2800017S	Junction Box	1	
22	FFV0720012S	Cord Bushing	1	
23	FFV2800016S	Junction Cover	1	
24	FFV3450010S	Lead Wire	1	⚠
25	FFV3710038S	Duct Assembly	1	
26	FFV2200003S	Hood Base	1	
27	FFV6400006S	Vent Assembly	1	
28	FFV2200004S	Hood	1	
A	FFV7000102S	Screw	4	For Fixing Lever Cover
B	FFV7000139S	Screw	6	
C	FFV7000099S	Screw	1	
D	FFV7000108S	Screw	3	
E	FFV7000211S	Earth Lead Wire Screw	2	Include Spring Washer ⚠
F	FFV7000140S	Screw	1	For Fixing Hood

3. Parts List

FV-01WS2

Main Labels

No.	Part No.	Part Name	Q'ty	Remark
29	FFV4020825S	Louver Label Assembly	1	Stuck On Frame Assembly
30	FFV6730085S	Wiring Diagram	1	Stuck On Frame Assembly
31	FFV2260002S	HVI Mark	1	Stuck On Frame Assembly
32	FFV2260003S	UL Mark	1	Stuck On Frame Assembly

Main Packing Section

No.	Part No.	Part Name	Q'ty	Remark
33	FFV4710336S	Left Pad	1	
34	FFV0450013S	Poly Cover	1	
35	FFV4710337S	Right Pad	1	
36	FFV0010241S	Accessory Set	1	For America Market
(36)	FFV0010242S	Accessory Set	1	For Canada Market
37	FFV9001118S	Packing Case Assembly	1	

3. Parts List

FV-04WS2

Main Body Section

No.	Part No.	Part Name	Q'ty	Remark
1	FFV3420042S	Louver Panel Assembly	1	
2	FFV3420082S	Louver Base Assembly	1	
3	FFV3100003S	Knob	1	
4	FFV3440006S	Lever	1	
5	FFV3440007S	Lever Cover	1	
6	FFV1610048S	Filter Assembly	1	
7	FFV3470004S	Butt Connector	3	⚠
8	FFV3402171S	Lead Wire Assembly	1	⚠
9	FFV5580015S	Switch Wire Assembly	1	⚠
10	FFV0750224S	Condenser	1	250V,1.1μF ⚠
11	FFV0750225S	Condenser	1	250V,2.0μF ⚠
12	FFV0900057S	Connector	2	⚠
13	FFV3730121S	Motor Unit	1	⚠
14	FFV3730097S	Motor Support	1	
15	FFV4670008S	Blade Assembly	1	
16	FFV1600119S	Frame Assembly	1	
17	FFV5580012S	Switch Box	1	
18	FFV5580013S	Switch Box Cover	1	
19	FFV0750222S	Condenser Case	1	
20	NK4N	Cord Clip	1	
21	FFV0750226S	Connector Assembly	1	⚠
22	FFV2800019S	Junction Box	1	
23	FFV0720012S	Cord Bushing	1	
24	FFV2800018S	Junction Cover	1	
25	FFV3450010S	Lead Wire	1	⚠
26	FFV3710039S	Duct Assembly	1	
27	FFV2200005S	Hood Base	1	
28	FFV6400007S	Vent Assembly	1	
29	FFV2200006S	Hood	1	
A	FFV7000102S	Screw	4	For Fixing Lever Cover
B	FFV7000099S	Screw	4	
C	FFV7000139S	Screw	6	
D	FFV7000108S	Screw	3	
E	FFV7000211S	Earth Lead Wire Screw	2	Include Spring Washer ⚠
F	FFV7000140S	Screw	1	For Fixing Hood

3. Parts List

FV-04WS2

Main Labels

No.	Part No.	Part Name	Q'ty	Remark
30	FFV4020826S	Louver Label Assembly	1	Stuck On Frame Assembly
31	FFV6730086S	Wiring Diagram	1	Stuck On Frame Assembly
32	FFV2260002S	HVI Mark	1	Stuck On Frame Assembly
33	FFV2260003S	UL Mark	1	Stuck On Frame Assembly

Main Packing Section

No.	Part No.	Part Name	Q'ty	Remark
34	FFV4710338S	Left Pad	1	
35	FFV4650014S	Poly Cover	1	
36	FFV4710339S	Right Pad	1	
37	FFV0010241S	Accessory Set	1	For America Market
(37)	FFV0010242S	Accessory Set	1	For Canada Market
38	FFV9001119S	Packing Case Assembly	1	